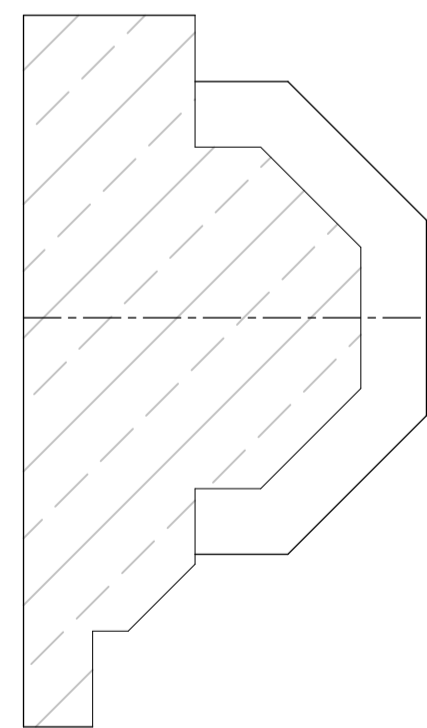
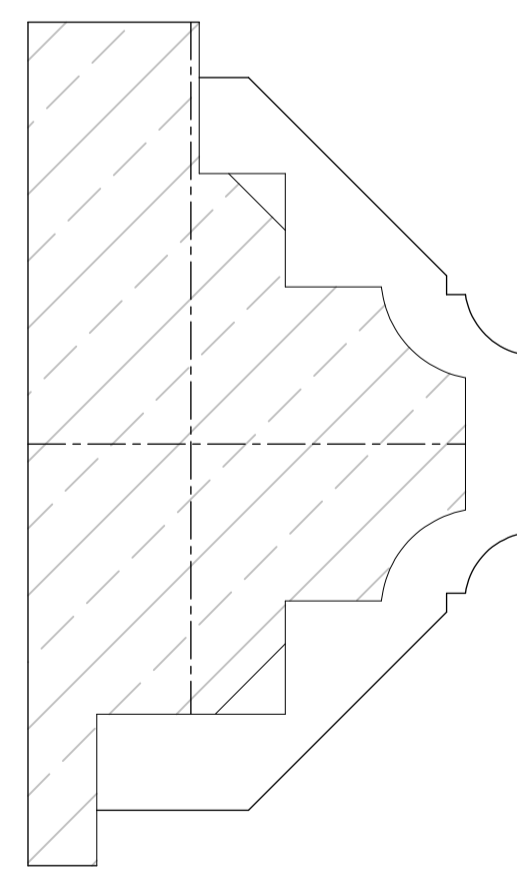


Internal Elevation - Base, Pier, Capital & Arch

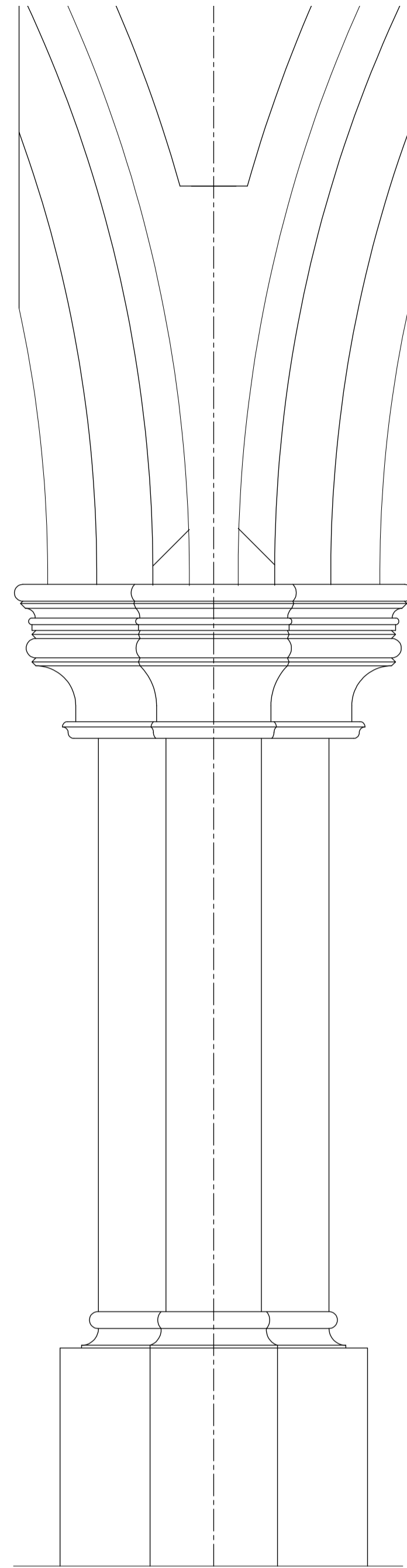


Pier & Base Plan

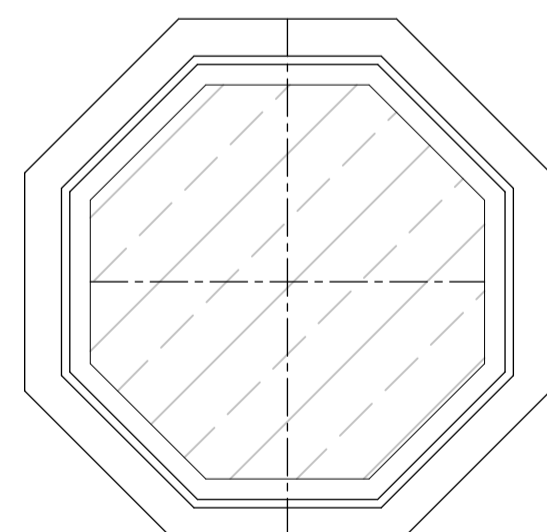


Capital Plan & Arch Spring Section

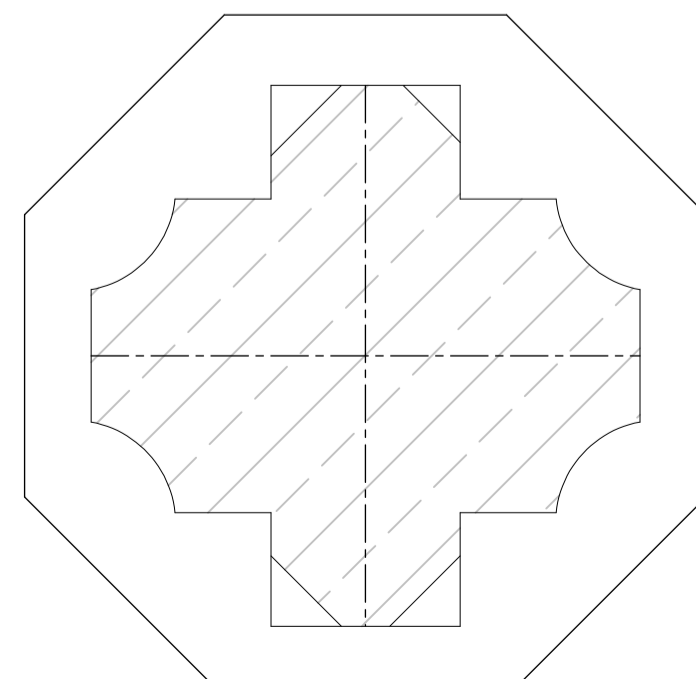
East Arcade Respond Elevation & Sections 1:10 (Early English)



Internal Elevation - Base, Pier, Capital & Arch

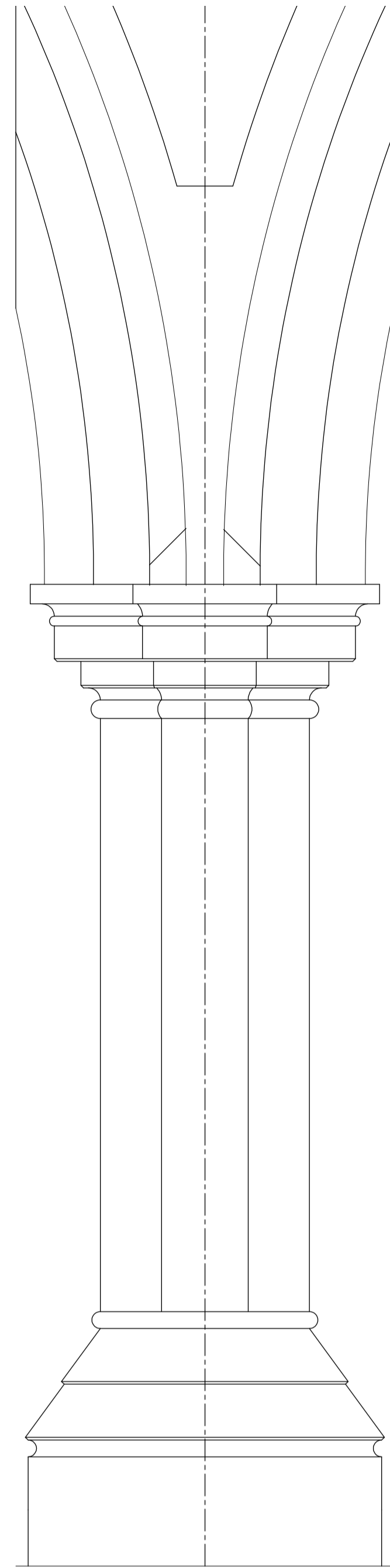


Plan of Pier & Base

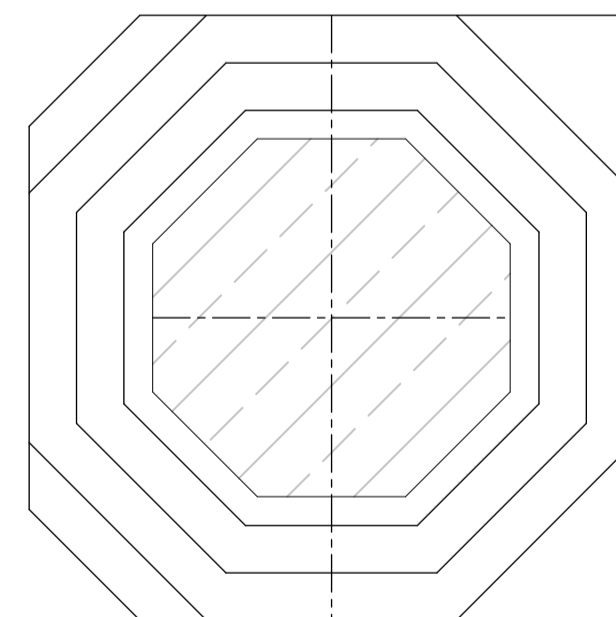


Capital Plan & Arch Spring Section

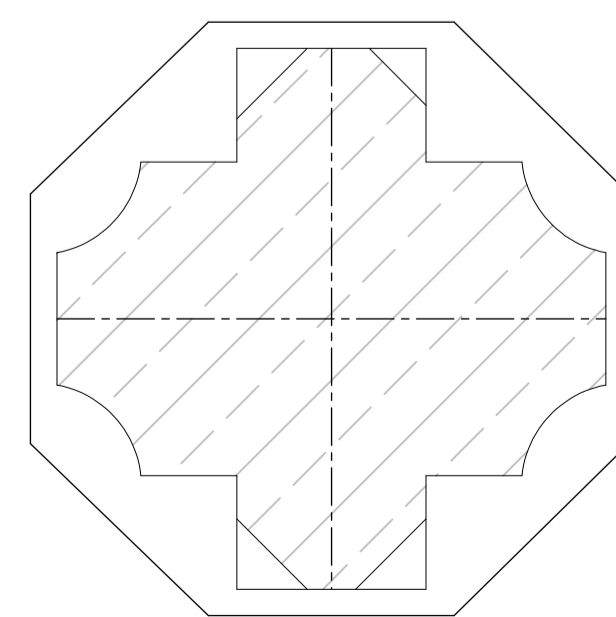
East Pier Elevation & Sections 1:10 (Victorian Replacement 1897)



Internal Elevation - Base, Pier, Capital & Arch

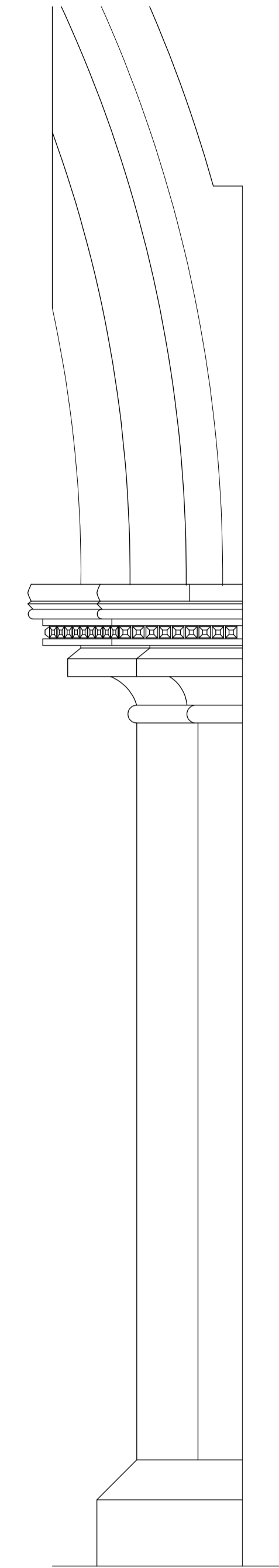


Plan of Pier & Base

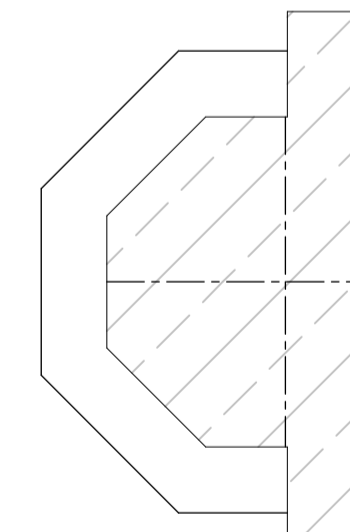


Capital Plan & Arch Spring Section

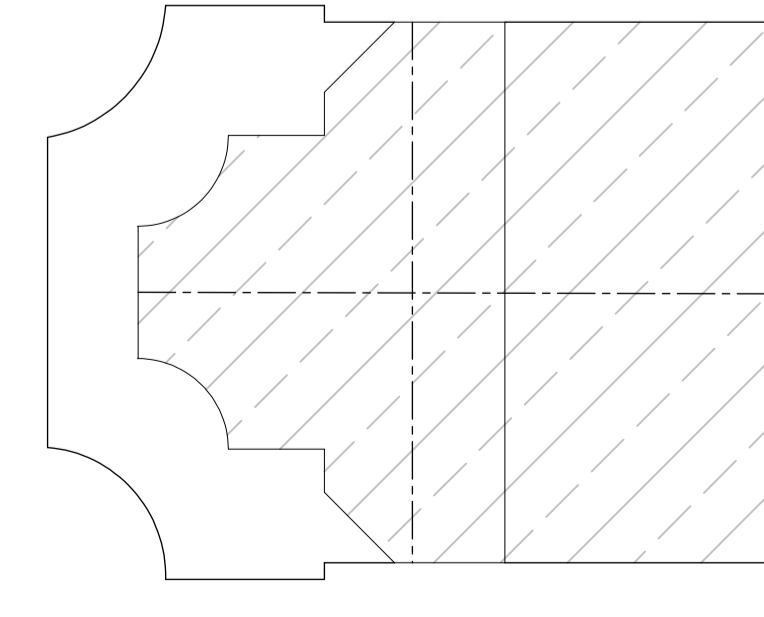
West Pier Elevation & Sections 1:10 (Early English)



Internal Elevation - Base, Pier, Capital & Arch



Plan of Pier & Base



Capital Plan & Arch Spring Section

West Arcade Respond Elevation & Sections 1:10 (Early English)

General Note:
 Records of relevant periods of construction appear not to exist.
 However the style of this arcade is Early English, which is 13th Century.
 It can be estimated that the major part of the church which we now see
 was built then. The Norman Transitional Chapel which stood where the Chancel
 now stands was demolished and re-built as the Chancel of a much larger building
 consisting of the Nave, the South Aisle, and the Porch.
 If we estimate that this was done during the first half of the 13th century,
 it can be estimated that the tower and spire were added during the second half.

Development Note -
 Please note that this drawings shows the development of the drawn record
 at the date of the drawing. The drawing is still not complete,
 as certain information requires to be updated in terms of the on site
 measure at this time, and so this is a record of the work in progress,
 for assessment.

© McCombie Smith Architects



Greetham Church
 Details 4, South Arcade
 Draft Analysis

SCALE 1:10 on A1
 DATE Jun 2013
 DRAWN AS

628/12/S8